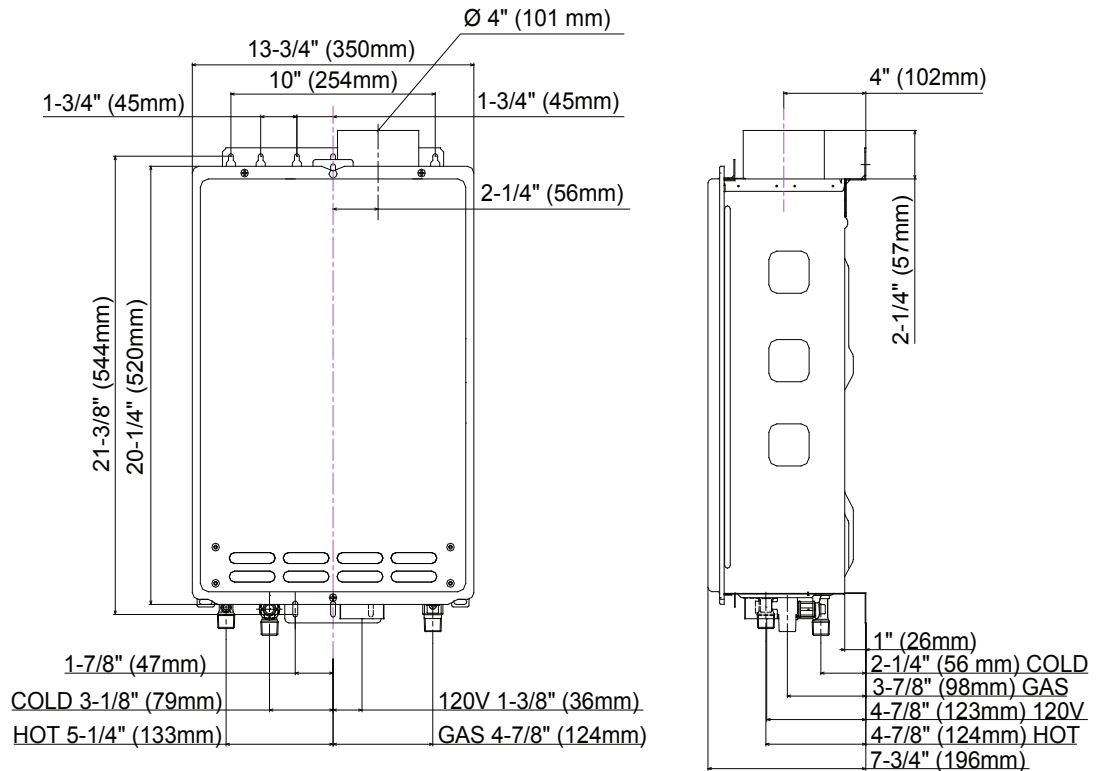


T-KJr2-IN



Dimension	H20.3" x W13.8" x D6.7" Weight: 33 lbs
Hot/Cold/Gas Connection	3/4" NPT
Clearances	Top: 12" Bottom: 12" Front: 24" Back: 1" Sides: 2"

Features

- Fully modulating, gas fired, tankless water heater
- Indoor and Direc Vent installation only
- Safety Features:
 - Air-Fuel Ratio (AFR) sensor
 - Exhaust & Water Temperature safety Control
 - Overheat Cutoff Fuse
- Internal Freeze-Protection System
- Manual reset high limit switch
- Power cord included
- Temperature Remote Controller included (TK-RE02)

Venting & Combustion

- Horizontal or Vertical Installation
- Power Vent
- Electric Ignition
- Flue 4" O.D.
 - Category III / IV Stainless Steel
- Intake 3" O.D.
 - ABS, PVC, Galvanized Steel, Corrugated Stainless Steel or Category III/IV Stainless Steel
- 50' Max Length, 5 elbows max (90°elbow = 5' equivalent length)

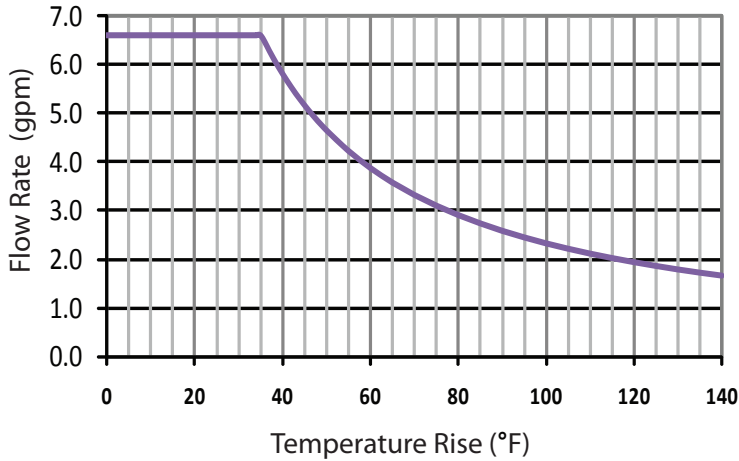
Accessories

- TK-BF01 Backflow preventor
- TK-KPCT43 3X4 DV Concentric Termination
- TK-TV10 Direct Vent Conversion Kit
- TK-KPWL4 and TK-KPWH4 Wall Thimble Louver/Hood Termination
- TK-PCJr2 Pipe Cover

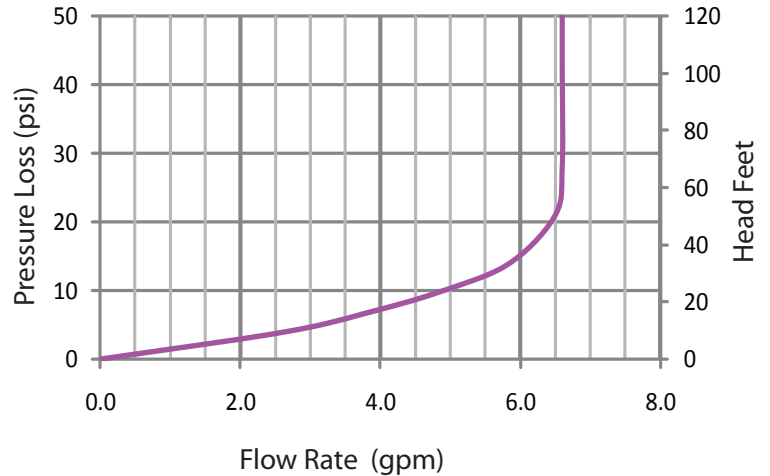
T-KJr2-IN



Flow Rate vs. Temperature Rise



Pressure Loss



Installation Type	Indoor installation only (Direct-vent convertible)	
Electric Consumption	120 VAC ; Standby: 0.05 A, Operation: 0.61 A, Freeze-Protection: 0.93 A	
Fuel	NG	LP
Gas Consumption Input	Min 19,500 BTU/h	Min 19,500 BTU/h
	Max 140,000 BTU/h	Max 140,000 BTU/h
Energy Factor	0.82	0.83
Inlet Gas Pressure	Min 5.0" W.C.	Min 8.0" W.C.
	Max 10.5" W.C.	Max 14.0" W.C.
Flow Rate	Max 6.6 GPM	
Water Pressure	15-150 psi	Pressure Only Relief Valve Required (Min 200,000 BTUs. 150 psi) 40 psi or above recommended for maximum Flow
Temperature Settings	Without Remote (Dipswitch Setting)	113°F, 122°F (Default), 131°F, and 140°F
	With TM-RE02 Temperature Remote Controller : 99°F to 167°F, 122°F Default factory Setting	99°F, 100°F, 102°F, 104°F, 106°F, 108°F, 109°F, 111°F, 113°F, 115°F, 117°F, 122°F (Default), 131°F, 140°F, 158°F, and 167°F